

MODEL : BV-203 [Two Piece Body Ball Valve Full Port]

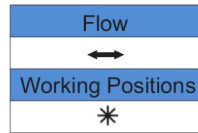
Connection : PN 16

Material : Cast Iron



VTV VALVE, serving Multi-National end users in a wide range of applications in many industries including:

1. Palm Oil and Refinery Plant
2. Water
3. Sewerage Industries



◆ MATERIAL LIST

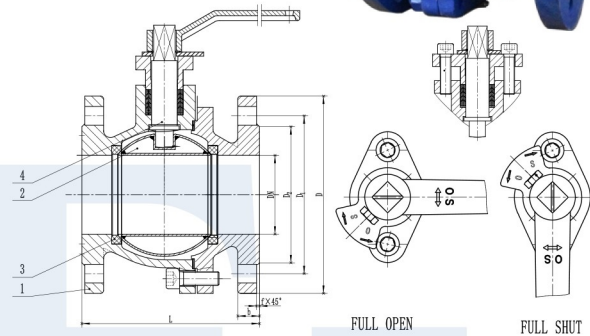
No	Part Name	Material
1	Body	GG25
2	Ball	CF8
3	*Seat	PTFE
4	Stem	SS13%Cr

- ◆ Suitable for :
1. Water
 2. Oil
 3. Gases

◆ DIMENSIONS (mm)

DN	L	D	D1	D2	b	f	z-Ød	Weight (kg)
40	140 ±1.5	150	110	88	18	3	4-Ø19	7.5
50	150 ±1.5	165	125	102	20	3	4-Ø19	9.9
65	170 ±1.5	185	145	122	20	3	4-Ø19	14
80	180 ±2	200	160	138	22	3	8-Ø19	18
100	190 ±2	220	180	158	24	3	8-Ø19	24
125	325 ±2	250	210	188	26	3	8-Ø19	3.5
150	350 ±2	285	240	211	26	3	8-Ø19	50.4
200	400 ±2	340	295	266	30	3	12-Ø19	72.3

- *OPTION :
1. PEEK
 2. 15% Glass PTFE
 3. 25% Carbon Full PTF
 4. TFM 1600



MODEL : BV-203 [Two Piece Body Ball Valve Full Port]

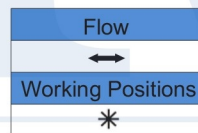
Connection : PN 16

Material : WCB, CF8, CF8M



VTV VALVE, serving Multi-National end users in a wide range of applications in many industries including:

1. Palm Oil and Refinery Plant
2. Water
3. Sewerage Industries



◆ MATERIAL LIST

No	Part Name	Material		
1	Body	WCB	CF8	CF8M
2	Ball	CF8	CF8	CF8M
3	*Seat	PTFE	PTFE	PTFE
		15% Glassfield	25% Glassfield	
4	Stem	SS13Cr	SS304	SS316

- ◆ Suitable for :
1. Water
 2. Oil
 3. Gases

◆ DIMENSIONS (mm)

DN	L	D		D1	D2	b	z-Ød	Weight (kg)
		SS304	SS316					
15	130	95	95	665	45	14	4-Ø14	1.95
20	140	105	105	75	55	14	4-Ø14	2.45
25	150	115	115	85	65	14	4-Ø14	3.45
32	165	135	140	100	78	16	4-Ø18	4.5
40	180	145	150	110	85	16	4-Ø18	6.2
50	200	160	165	125	100	16	4-Ø18	8.35
65	220	180	185	145	120	18	4-Ø18	12.2
80	250	195	200	160	135	20	8-Ø18	15
100	280	215	220	180	155	20	8-Ø18	23
125	320	125	250	210	185	22	8-Ø18	38
150	360	150	285	240	210	24	8-Ø23	45
200	400	203	340	295	265	26	12-Ø23	72

- *OPTION :
1. PEEK
 2. 15% Glass PTFE
 3. 25% Carbon Full PTF
 4. TFM 1600

